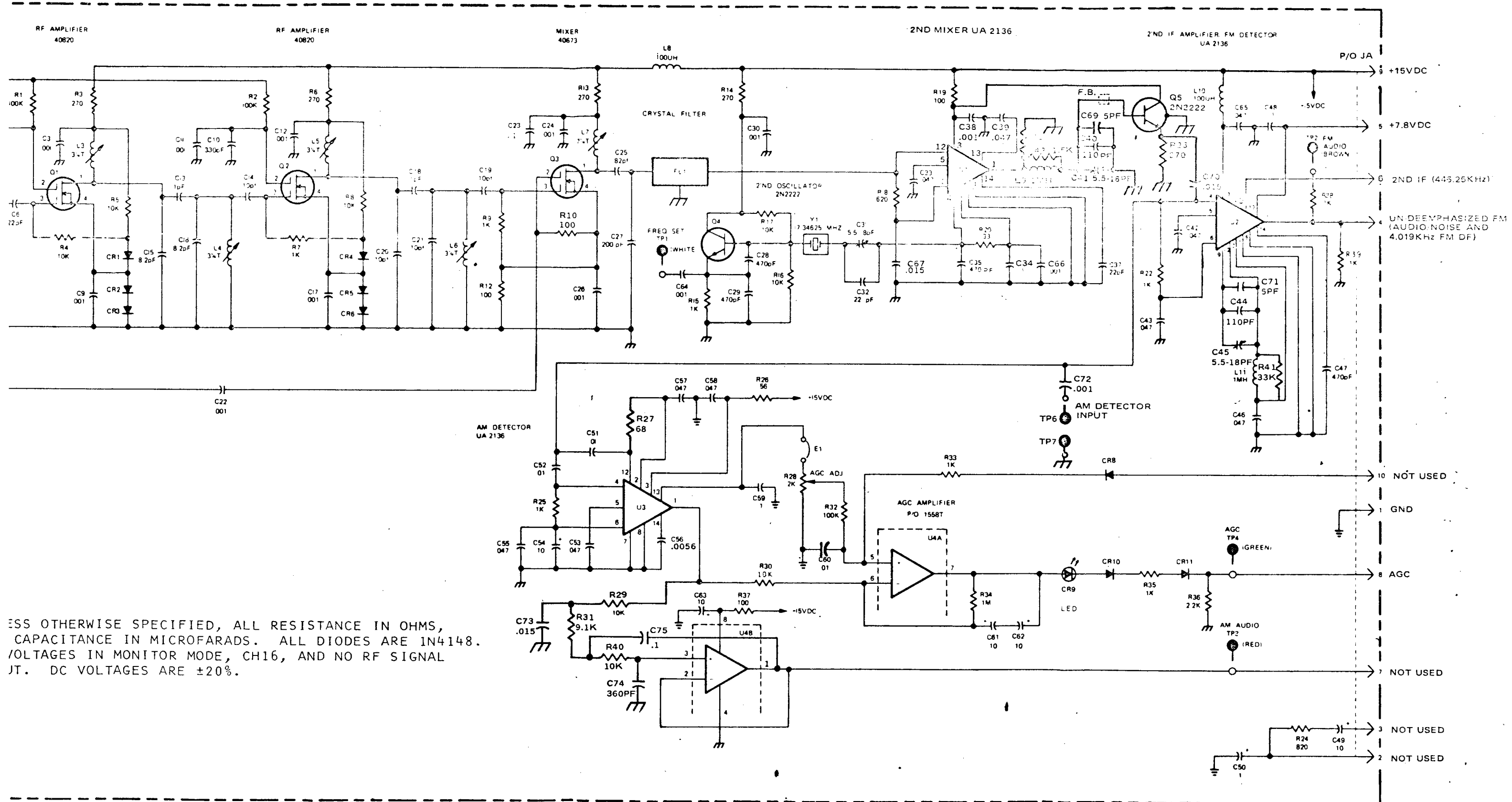


Figure 7-14. FM Receiver 1



LESS OTHERWISE SPECIFIED, ALL RESISTANCE IN OHMS, CAPACITANCE IN MICROFARADS. ALL DIODES ARE IN4148. VOLTAGES IN MONITOR MODE, CH16, AND NO RF SIGNAL JT. DC VOLTAGES ARE ±20%.

Figure 7-14. FM Receiver IA3(156-163MHz) Schematic Diagram