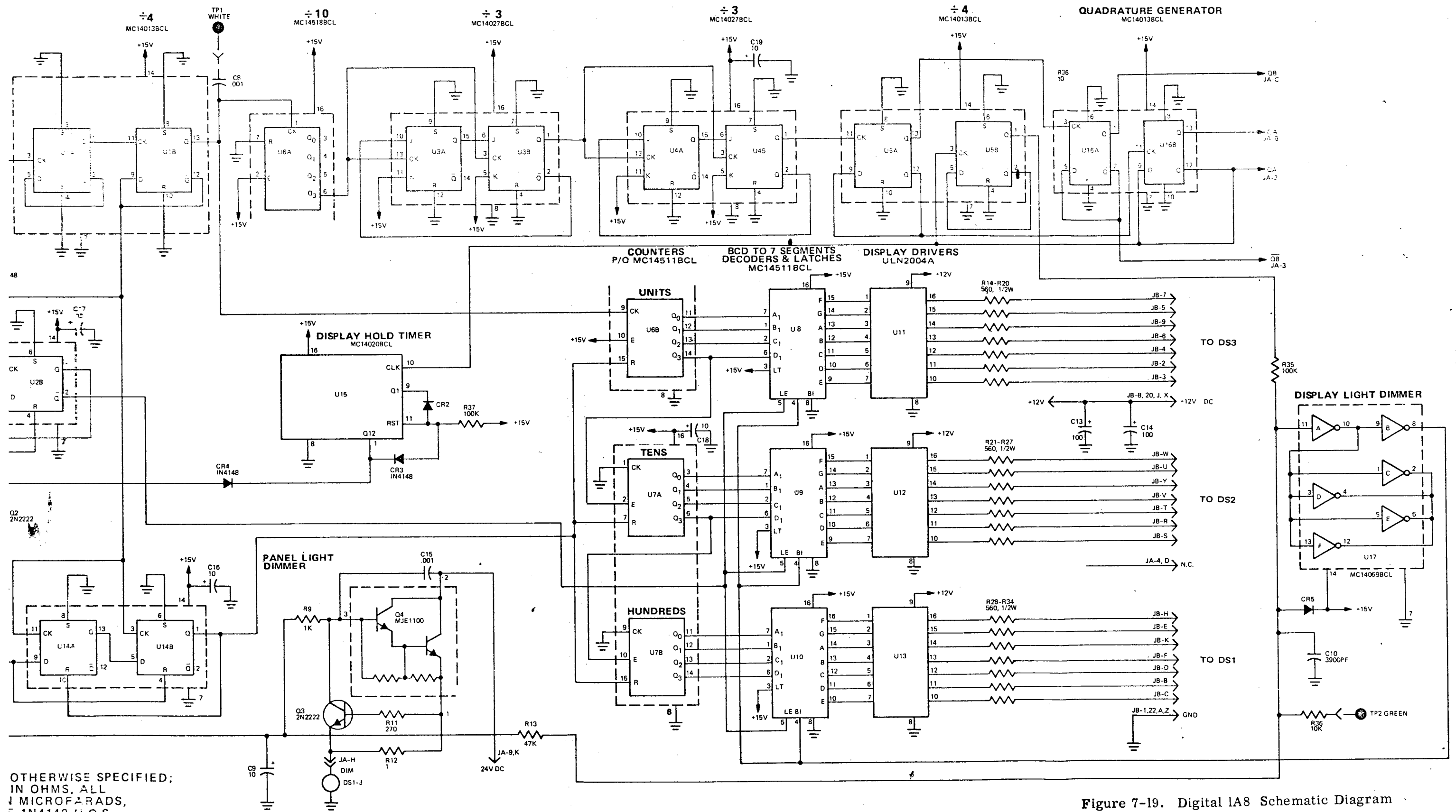


NOTES: UNLESS OTHERWISE SPECIFIED;
 ALL RESISTORS IN OHMS, ALL
 CAPACITANCE IN MICROFARADS,
 ALL DIODES ARE 1N4148 O.O.S.



OTHERWISE SPECIFIED;
 IN OHMS, ALL
 MICROFARADS,
 IN 1N4148 U.O.S.

Figure 7-19. Digital IA8 Schematic Diagram