

NOTES: UNLESS OTHERWISE SPECIFIED, ALL RESISTANCE IN OHMS, ALL CAPACITANCE IN MICROFARADS. ALL DIODES ARE 1N4148. DC VOLTAGES IN MONITOR MODE, CH16, AND NO RF SIGNAL INPUT. DC VOLTAGES ARE ±20%.

Figure 7-15. AM Receiver IA4

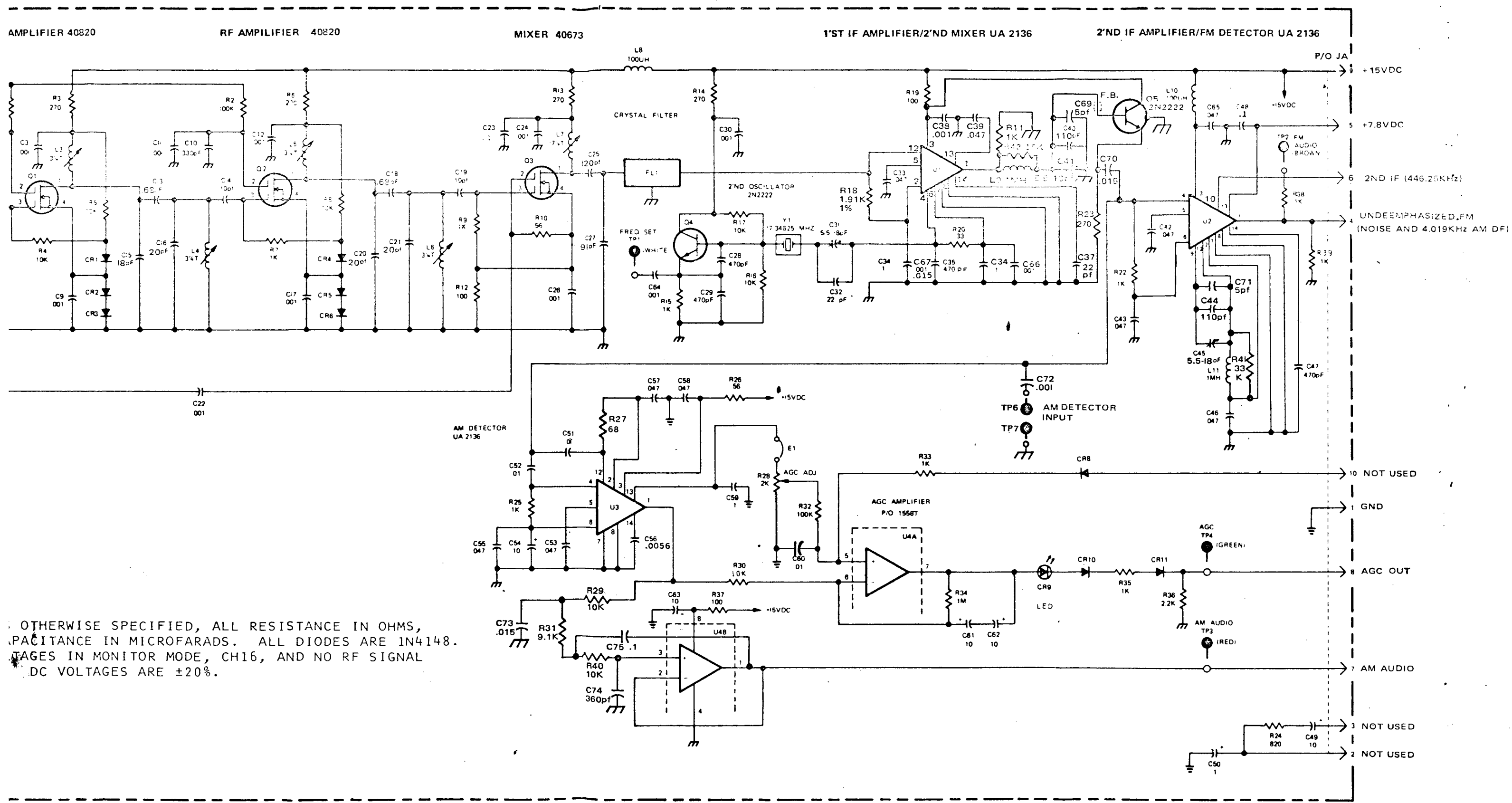


Figure 7-15. AM Receiver IA4(121.5 MHz) Schematic Diagram