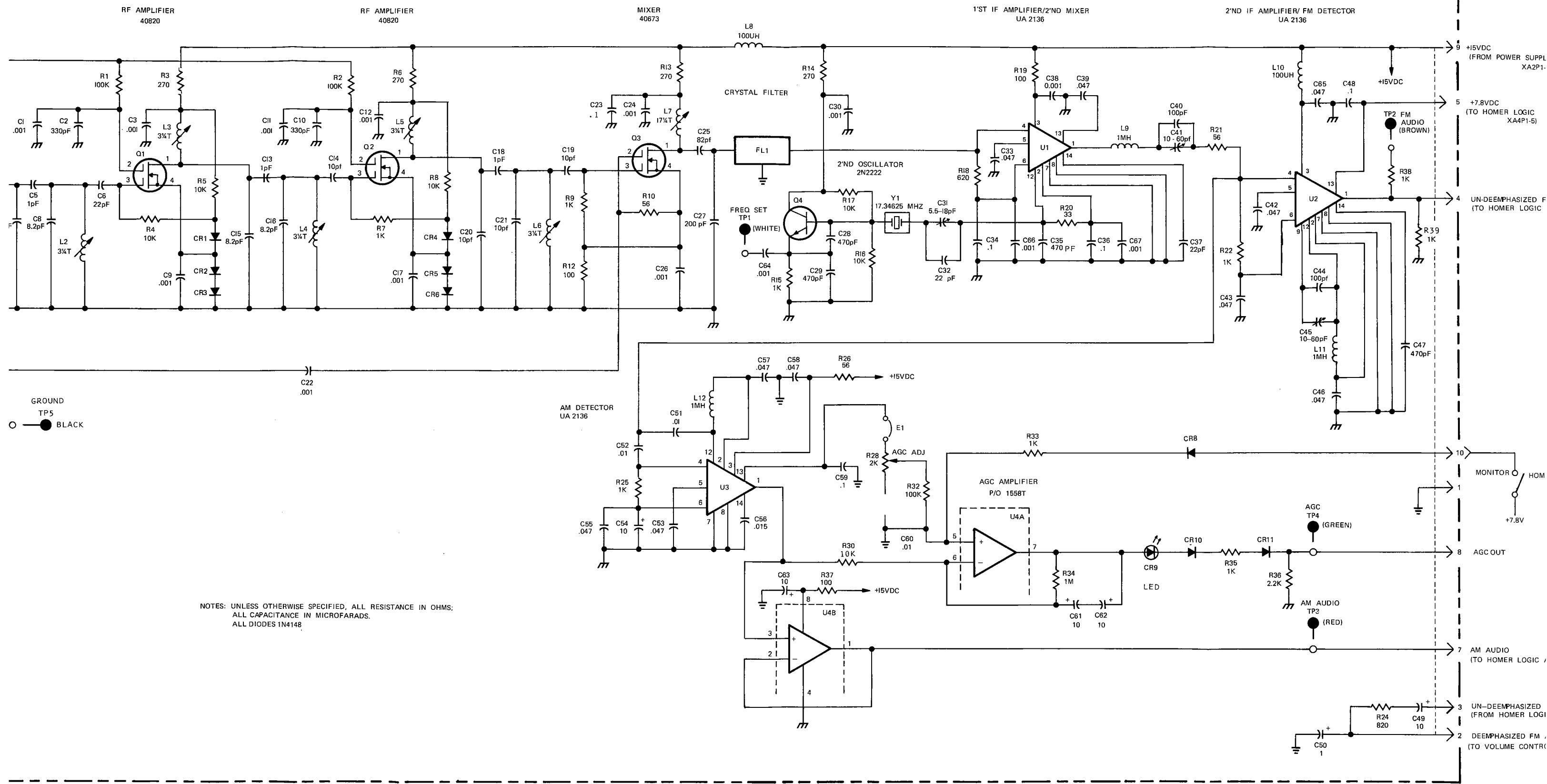


1BLY A3



NOTES: UNLESS OTHERWISE SPECIFIED, ALL RESISTANCE IN OHMS;
 ALL CAPACITANCE IN MICROFARADS.
 ALL DIODES 1N4148.

FIGURE 7-13. RECEIVER 1A3 SCHEMATIC DIAGRAM