

FIGURE 1-2. HOME

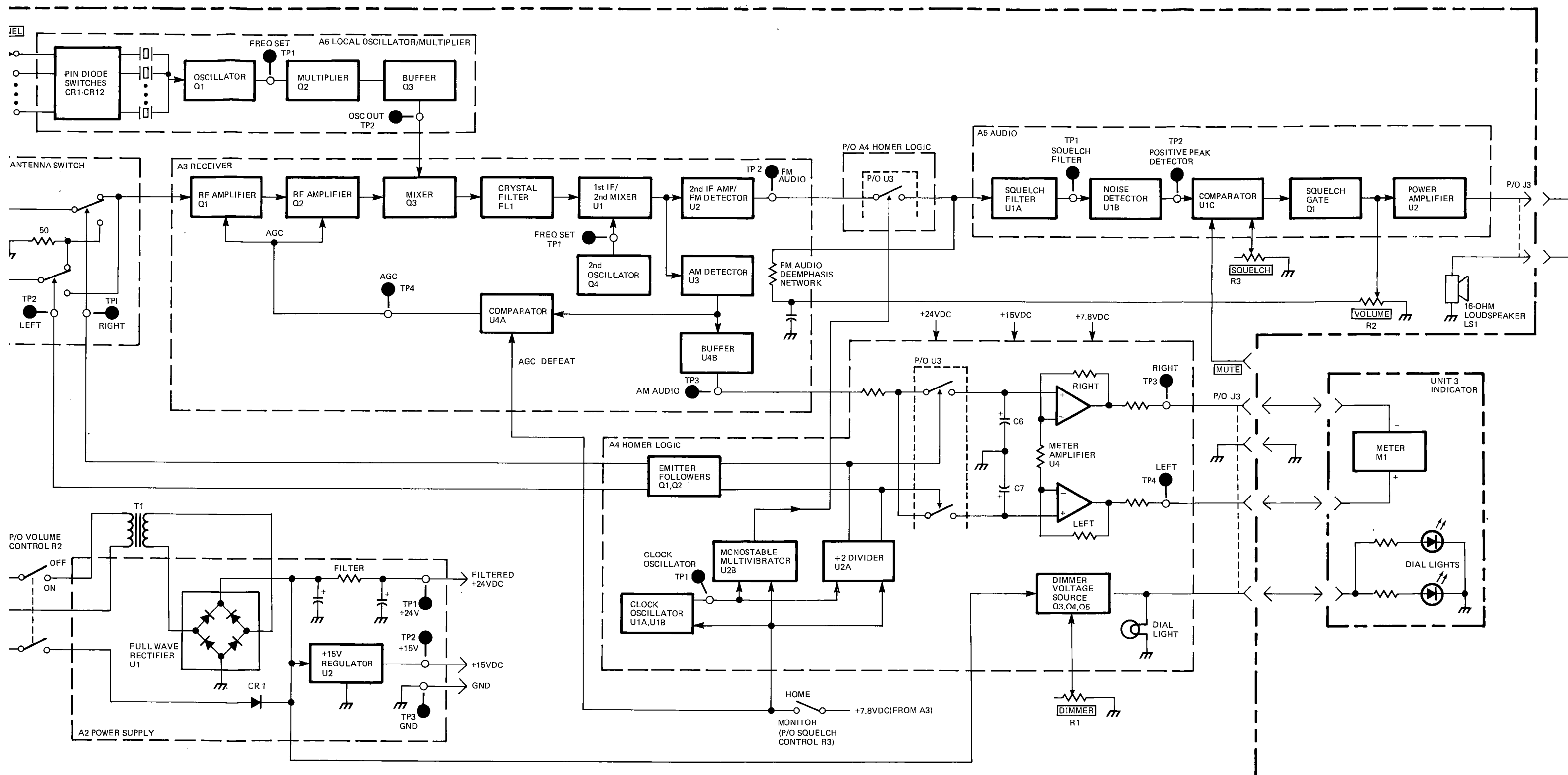


FIGURE 1-2. HOMER FUNCTIONAL BLOCK DIAGRAM